

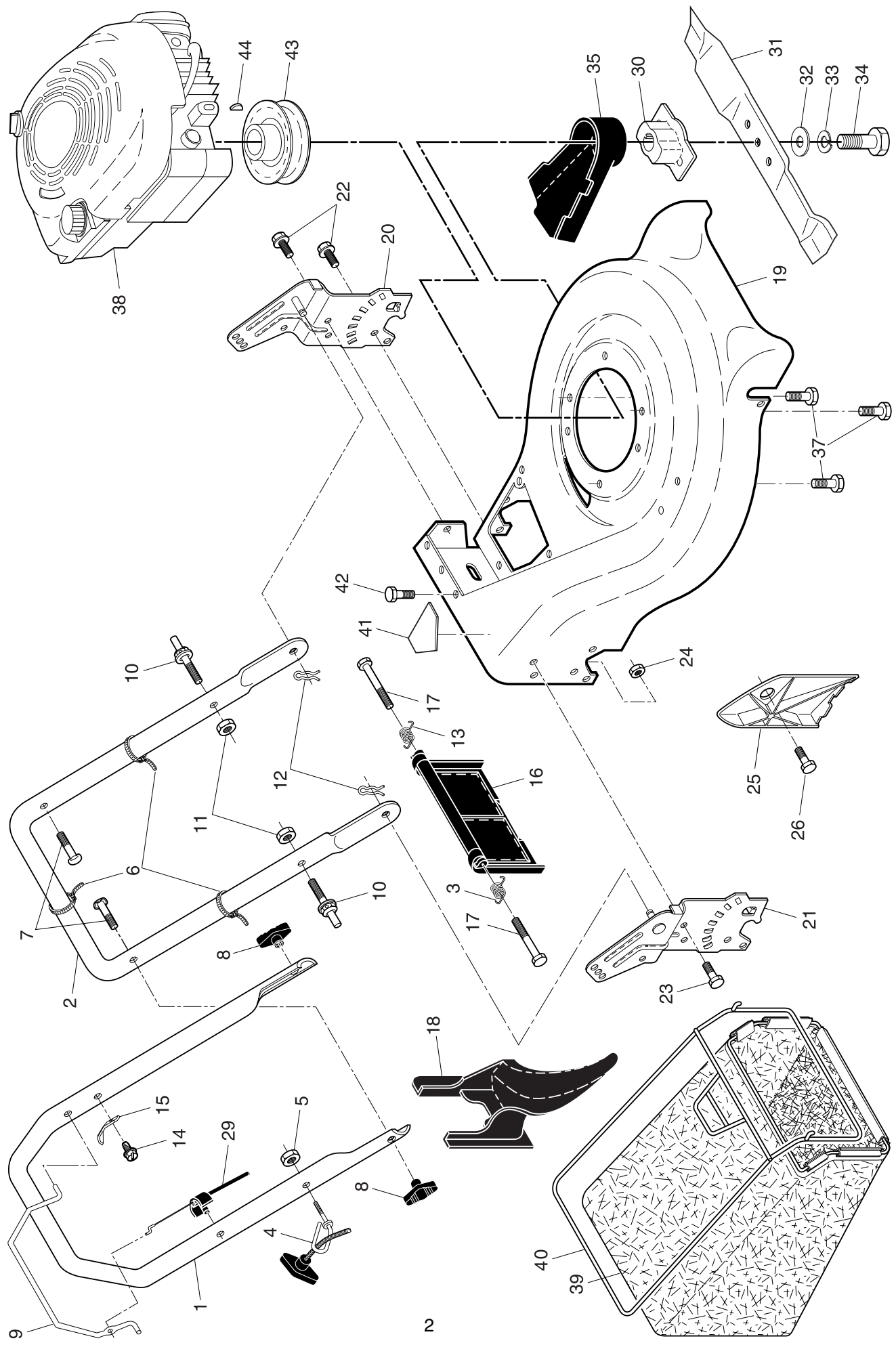
**ILLUSTRATED PARTS LIST**

**CUSTOMER MODEL NUMBER 553CM**

**PRODUCT NUMBER 961 41 00-13**

**MFG. ID. NUMBER 96141001300**

ROTARY LAWN MOWER - - CUSTOMER MODEL NUMBER 553CM (96141001300) PRODUCT NO. 961 41 00-13



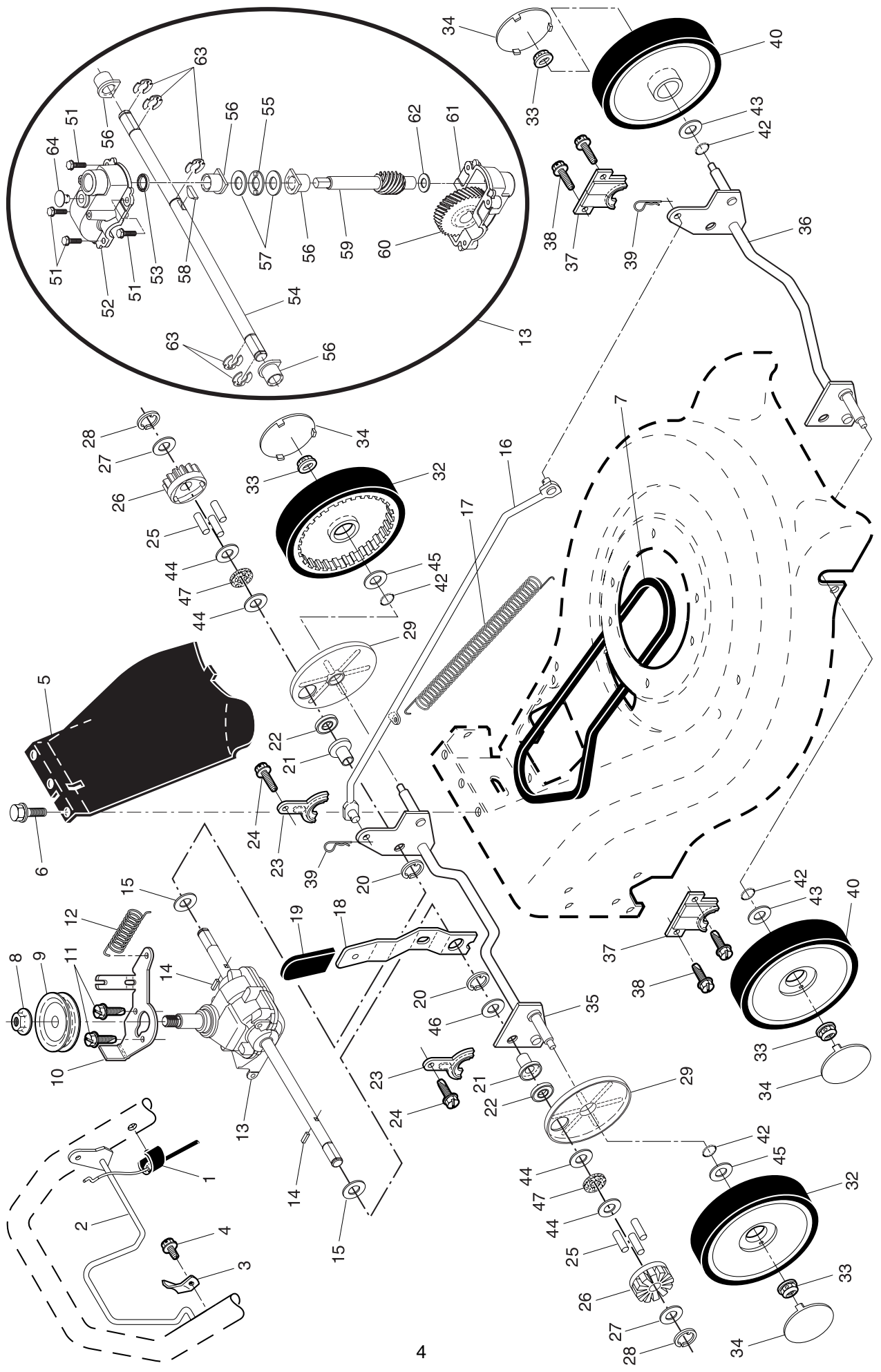
**ROTARY LAWN MOWER - - CUSTOMER MODEL NUMBER 553CM (96141001300) PRODUCT NO. 961 41 00-13**

KEY NO.	PART NO.	DESCRIPTION	KEY NO.	PART NO.	DESCRIPTION
1	532 17 80-67	Handle, Upper	25	532 16 13-33	Baffle, Side
2	532 19 60-05	Handle, Lower	26	532 16 34-09	Screw #12 x 5/8
3	532 18 60-53	Spring, Rear Door, RH	29	532 19 12-21	Cable, Engine Zone Control
4	532 17 95-85	Guide, Rope, Side	30	532 18 45-90	Adapter, Blade
5	532 13 20-04	Nut, Hex, with Lockwasher Insert 1/4-20	31	532 17 50-52	Blade, 21"
6	532 06 64-26	Wire Tie	32	532 85 10-74	Washer, Hardened
7	532 19 15-74	Bolt, Handle 5/16-18 x 1.75	33	532 85 02-63	Lockwasher, Helical Spring 3/8
8	532 19 19-38	Knob, Handle	34	532 85 10-84	Screw, Hex Head 3/8-24 x 1.38
9	532 19 18-19	Bar, Control	35	532 18 91-85	Shield, Debris
10	532 18 88-21	Bolt, Carriage	37	532 15 04-06	Bolt, Engine
11	873 93 05-00	Nut, Hex, with Lockwasher Insert 5/16-18 UNC	38	- - -	Engine, Briggs & Stratton, Model Number 12F802 (Order parts from engine manufacturer)
12	532 05 17-93	Cotter, Hairpin	39	532 19 49-68	Grassbag
13	532 18 60-52	Spring, Rear Door, LH	40	532 18 88-17	Frame, Grassbag
14	532 75 06-34	Screw, Tapping, Hex Washer Head #10-24	41	532 18 21-66	Danger Decal
15	532 12 51-62	Bracket, Upstop	42	532 05 45-83	Screw
16	532 19 05-74	Rear Door Assembly	43	532 18 49-41	Pulley, Engine
17	532 18 41-93	Bolt, Rear Door	44	532 18 77-23	Key, Hi-Pro
18	532 18 75-35	Plug, Mulcher	- -	532 18 21-34	Warning Decal (not shown)
19	532 19 50-56	Kit, Housing	- -	532 19 58-45	Operator's Manual, European
20	532 19 40-29	Handle Bracket Assembly, LH	- -	532 19 58-46	Operator's Manual, Scandinavian
21	532 19 40-31	Handle Bracket Assembly, RH			
22	532 15 00-78	Screw, Hex Washer Head			
23	532 16 31-83	Bolt, Hex Head 5/16-18 x 5/8			
24	873 80 05-00	Nut, Hex, with Lockwasher Insert 5/16-18			

**NOTE:** All component dimensions given in U.S. inches.  
1 inch = 25.4 mm

**IMPORTANT:** Use only Original Equipment Manufacturer (O.E.M.) replacement parts. Failure to do so could be hazardous, damage your lawn mower and void your warranty.

ROTARY LAWN MOWER - - CUSTOMER MODEL NUMBER 553CM (96141001300) PRODUCT NO. 961 41 00-13



# ROTARY LAWN MOWER - - CUSTOMER MODEL NUMBER 553CM (96141001300) PRODUCT NO. 961 41 00-13

KEY NO.	PART NO.	DESCRIPTION	KEY NO.	PART NO.	DESCRIPTION
1	532 18 76-26	Cable, Drive Control	33	532 08 39-23	Nut, Hex, Flangelock
2	532 16 14-73	Bar, Control, Drive	34	532 18 63-06	Hubcap
3	532 16 45-57	Bracket, Downstop	35	532 19 60-16	Shaft Assembly, Rear
4	532 75 06-34	Screw, Tapping, Hex Washer Head #10-24	36	532 19 60-15	Shaft Assembly, Front
5	532 19 55-46	Cover, Drive	37	532 16 14-63	Retainer, Front Shaft
6	532 75 06-34	Screw, Threaded, Rolled #10-25 x .50	38	532 16 34-09	Screw #12 x 5/8
7	532 16 08-16	V-Belt	39	532 70 02-79	Clip, Retainer
8	532 13 20-10	Nut, Hex, Flangelock, Zinc Plated 3/8-16	40	532 15 03-48	Wheel & Tire Assembly, Front 8 x 2
9	532 16 39-39	Pulley, Driven	42	532 18 81-52	O-Ring
10	532 16 45-53	Belt Keeper	43	532 08 83-48	Washer, Flat 3/8
11	817 54 10-11	Screw, Hex Washer Head #10-24 x .668	44	532 06 23-35	Washer, Flat
12	532 18 76-27	Spring	45	532 06 77-25	Washer, Flat 1/2 x 1-1/2 x .134
13	532 16 96-11	Gearcase Assembly, Complete	46	819 57 22-16	Washer, Flat
14	532 14 53-54	Pin, Spring, Thrust	47	532 08 81-18	Washer, Felt
15	532 05 70-79	Washer, Hardened	51	817 54 10-11	Screw, Tapping #10-24 x .668
16	532 16 15-84	Rod, Connecting	52	532 16 06-72	Gear Case, Upper
17	532 16 16-02	Spring, Extension	53	532 05 70-72	Seal
18	532 19 07-94	Spring, Selector	54	532 16 96-11	Drive Shaft
19	532 19 00-69	Knob, Selector Spring	55	532 16 08-18	Bearing, Needle, Thrust
20	812 00 00-22	E-Ring 7/8	56	532 07 78-81	Bearing
21	532 16 33-65	Support, Bearing	57	532 16 08-17	Washer, Thrust
22	532 16 99-11	Bearing, Ball	58	532 85 08-48	Key, Hi-pro
23	532 16 45-55	Retainer, Drive Assembly, Stamped	59	532 16 06-78	Shaft, Worm
24	532 05 78-08	Screw, Tapping, Hex Head 1/4-20 x .75	60	532 16 06-79	Gear, Helical
25	532 17 00-11	Pawl, Drive	61	532 16 06-73	Gear Case, Lower
26	532 16 64-50	Pinion, Drive	62	532 05 70-79	Washer, Hardened
27	532 05 21-60	Washer, Shim (as needed)	63	812 00 00-39	E-Ring
28	812 00 00-58	E-Ring 7/16	64	532 08 64-47	Plug
29	532 18 94-03	Cover, Dust, Wheel			
32	532 18 80-42	Wheel & Tire Assembly, Rear, Driven 9 x 2			

**NOTE:** All component dimensions given in U.S. inches.  
1 inch = 25.4 mm